

KSEG700ESS

KitchenAid[®]

30-Inch 5-Element Electric Slide-In Convection Range

<http://www.kitchenaid.com>



Key Features:

- Even-Heat™ True Convection
- Steam Rack
- 6.4 Cu Ft. Oven Capacity
- 5 Cooking Elements Including a Warm Zone
- EasyConvect™ Conversion System
- FIT Guarantee
- Aqualift®
- Storage Drawer
- Glass Touch Controls
- 4000W Broil Feature
- Side Trim Accessory Kit

Product Dimensions:

Height: 36

Width: 29 7/8

Electrical Requirements:

40 Amps.

Additional Information:

[Use And Care Guide](#)

[Dimension Guide](#)

[Installation Guide](#)

[Warranty Certificate](#)

Available in:

 Stainless Steel

INVESTED
IN
AMERICA

ADA
Compliant

®Registered trademark/TM Trademark of Whirlpool, U.S.A. © 2016 Whirlpool Corporation. All Rights Reserved. All other trademarks are owned by their respective companies.

Because Whirlpool Corporation policy includes a continuous commitment to improve our products, we reserve the right to change materials and specifications without notice. We also reserve the right to discontinue or transition products without notice.

Manufacturer's Suggested Retail Price (MSRP) and Minimum Advertised Price (MAP) provided for reference purposes only. Dealer alone determines advertised and retail prices.

Created On: Monday, March 06, 2017 19:32:37

PRODUCT MODEL NUMBERS

KSEB900E KSEG700E KSIB900E

Electrical: If codes permit and a separate ground wire is used, it is recommended that a qualified electrical installer determine that the ground path and wire gauge are in accordance with local codes.

Do not use an extension cord.

To properly install your range, you must determine the type of electrical connection you will be using and follow the instructions provided for it here.

- Range must be connected to the proper electrical voltage and frequency as specified on the model/serial number rating plate. The model/serial number rating plate is located behind the oven door on the top right-hand side of the oven frame.
- This range is manufactured with the neutral terminal connected to the cabinet. Use a 3-wire, UL listed, 40- or 50-amp power supply cord (pigtail) (see following Range Rating chart). If local codes do not permit ground through the neutral, use a 4-wire power supply cord rated at 250 volts, 40 or 50 amps and investigated for use with ranges.

Range Rating*		Specified Rating of Power Supply Cord Kit and Circuit Protection
120/240 Volts	120/208 Volts	Amps
8.8 - 16.5 KW	7.8 - 12.5 KW	40 or 50**
16.6 - 22.5 KW	12.6 - 18.5 KW	50

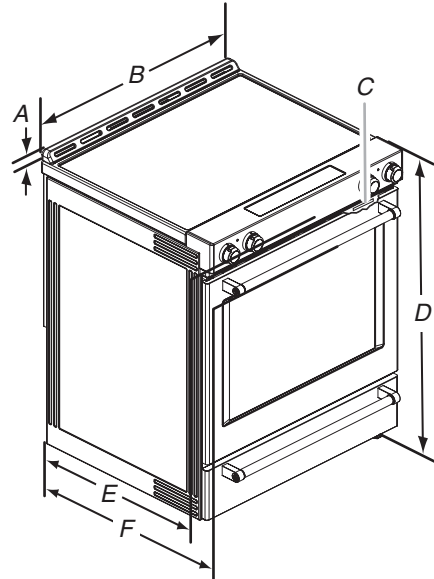
*The NEC calculated load is less than the total connected load listed on the model/serial rating plate.

**If connecting to a 50-amp circuit, use a 50-amp rated cord with kit. For 50-amp rated cord kits, use kits that specify use with a nominal 1³/₈" (34.9 mm) diameter connection opening.

- A circuit breaker is recommended.

PRODUCT DIMENSIONS

This manual covers several models. Your model may appear different from the models depicted. Dimensions given are maximum dimensions across all models.



A. 1³/₁₆" (3.0 cm) height from cooktop to top of vent

B. 29⁷/₈" (75.9 cm)

C. Model/serial number plate (located behind the oven door on the top right-hand side of the oven frame)

D. 36" (91.4 cm) height to top of cooktop edge with leveling legs screwed all the way in*

E. 28⁵/₁₆" (71.9 cm) max. depth from front of console to back of range.

F. 28⁷/₈" (73.3 cm) max. depth from handle to back of range.

IMPORTANT: Range must be level after installation. Follow the instructions in the "Level Range" section. Using the cooktop as a reference for leveling the range is not recommended.

*Range can be raised approximately 1" (2.5 cm) by adjusting the leveling legs.

CABINET OPENING DIMENSIONS

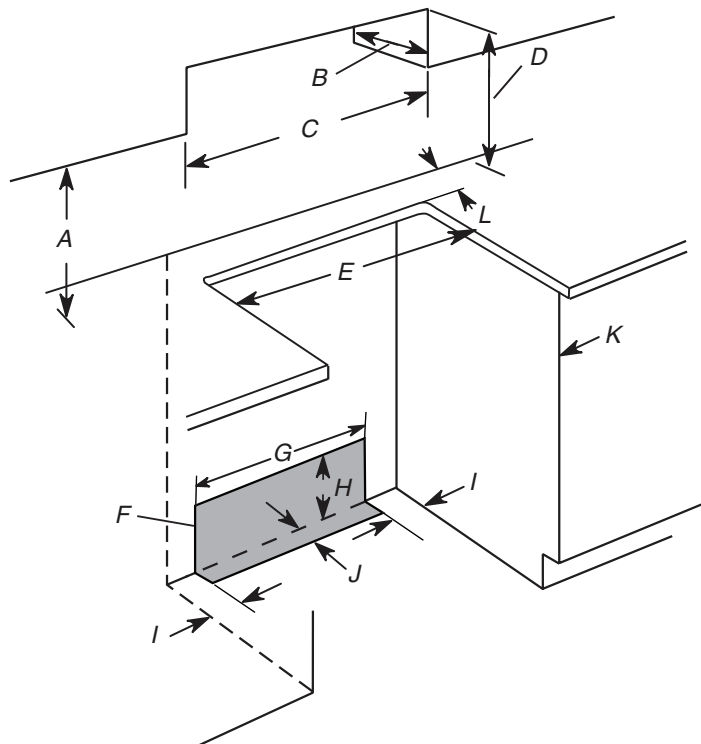
Cabinet opening dimensions shown are for 25" (64.0 cm) countertop depth, 24" (61.0 cm) base cabinet depth and 36" (91.4 cm) countertop height.

IMPORTANT: If installing a range hood or microwave hood combination above the range, follow the range hood or microwave hood combination installation instructions for dimensional clearances above the cooktop surface.

Range may be installed next to combustible walls with zero clearance.

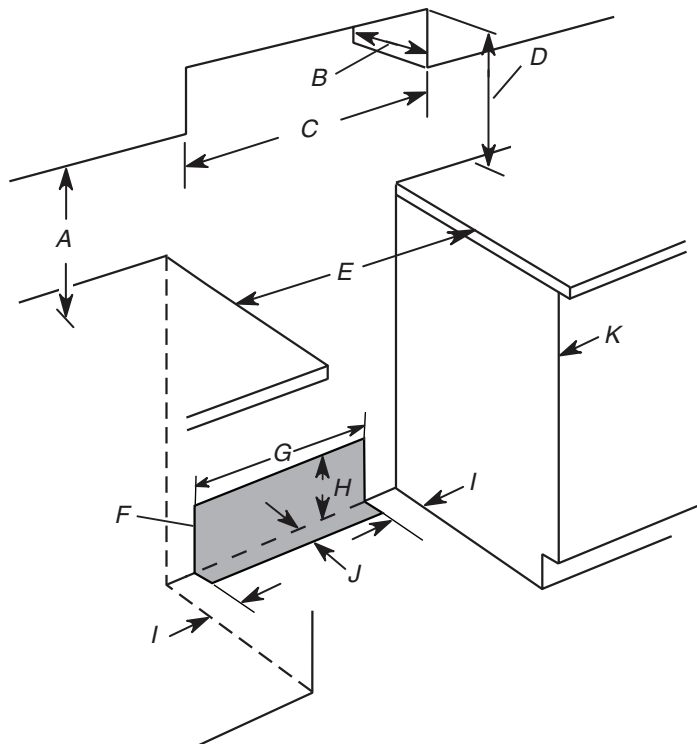
NOTE: When installed in a slide-in cutout, the front of oven door may protrude beyond the base cabinet.

Slide-in Cutout



- A. 18" (45.7 cm) upper side cabinet to countertop
- B. 13" (33 cm) max. upper cabinet depth
- C. 30" (76.2 cm) min. opening width
- D. For minimum clearance to top of cooktop, see NOTE*.
- E. In U.S.A.: 30" (76.2 cm) min. opening width
In Canada: 31" (78.7 cm) min. opening width
- F. The shaded area is recommended for installation of grounded outlet.
- G. 13 1/8" (33.3 cm)
- H. 7 1/16" (19.5 cm)
- I. 4 13/16" (12.2 cm)
- J. 3 1/16" (9.4 cm) or measurement of L, whichever is greater
- K. Cabinet door or hinges should not extend into the cutout.
- L. Remaining counter depth should not exceed 2 1/4" (5.7 cm)

Freestanding cutout



- A. 18" (45.7 cm) upper side cabinet to countertop
- B. 13" (33 cm) max. upper cabinet depth
- C. 30" (76.2 cm) min. opening width
- D. For minimum clearance to top of cooktop, see NOTE*.
- E. In U.S.A.: 30" (76.2 cm) min. opening width
In Canada: 31" (78.7 cm) min. opening width
- F. The shaded area is recommended for installation of grounded outlet.
- G. 13 1/8" (33.3 cm)
- H. 7 1/16" (19.5 cm)
- I. 4 13/16" (12.2 cm)
- J. 3 1/16" (9.4 cm)
- K. Cabinet door or hinges should not extend into the cutout.

*NOTE: 24" (61.0 cm) minimum when bottom of wood or metal cabinet is shielded by not less than 1/4" (0.64 cm) flame retardant millboard covered with not less than No. 28 MSG sheet steel, 0.015" (0.4 mm) stainless steel, 0.024" (0.6 mm) aluminum or 0.020" (0.5 mm) copper.

30" (76.2 cm) minimum clearance between the top of the cooking platform and the bottom of an uncovered wood or metal cabinet.

KMCS3022GSS

KitchenAid[®]

24" Countertop Microwave Oven – 1200 Watt

<http://www.kitchenaid.com>



Key Features:

- 9 Quick-Touch Cycles Including Six Sensor Cycles
- Timed Defrost
- Electronic Controls with LED Display
- 16 9/16" Recessed Turntable
- Accepts 30- or 27-Inch Trim Kit
- 2.2 Cu. Ft. Capacity
- 1200-Watt Cooking Power
- Color-Coordinated Stainless Steel Cabinet

Product Dimensions:

Height: 13 1/2

Width: 24

Depth: 19 5/8

Additional Information:

[Use And Care Guide](#)

[Warranty Certificate](#)

Available in:

Stainless Steel

®Registered trademark/TM Trademark of Whirlpool, U.S.A. © 2016 Whirlpool Corporation. All Rights Reserved.
All other trademarks are owned by their respective companies.

Because Whirlpool Corporation policy includes a continuous commitment to improve our products, we reserve the right to change materials and specifications without notice. We also reserve the right to discontinue or transition products without notice.

Manufacturer's Suggested Retail Price (MSRP) and Minimum Advertised Price (MAP) provided for reference purposes only. Dealer alone determines advertised and retail prices.

Created On: Monday, October 09, 2017 18:20:27

INSTALLATION INSTRUCTIONS

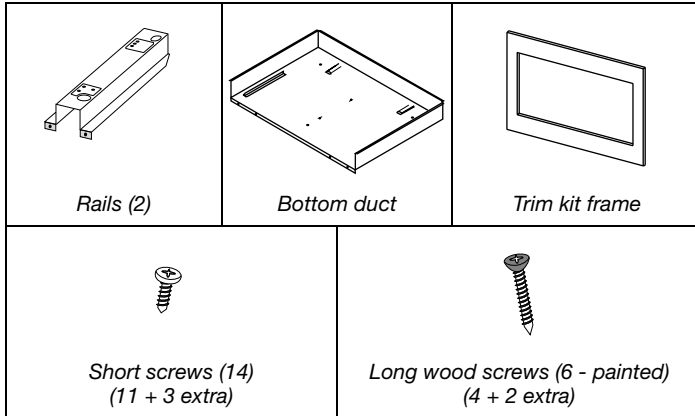
Tools and Parts

Tools Needed

Gather the required tools and parts before starting installation. Read and follow the instructions provided with any tools listed here.

- Measuring tape
- Drill
- Pencil
- 7/64" drill bit
- Phillips screwdriver

Parts Supplied (not shown to scale)

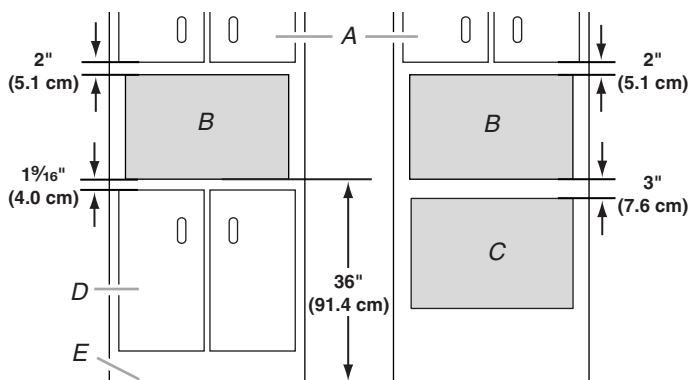


Location Requirements

The microwave oven may be installed over a built-in oven. If installing over a built-in oven, make sure there is a minimum of 3" (7.6 cm) between the top of the lower oven cutout and the microwave oven cutout floor.

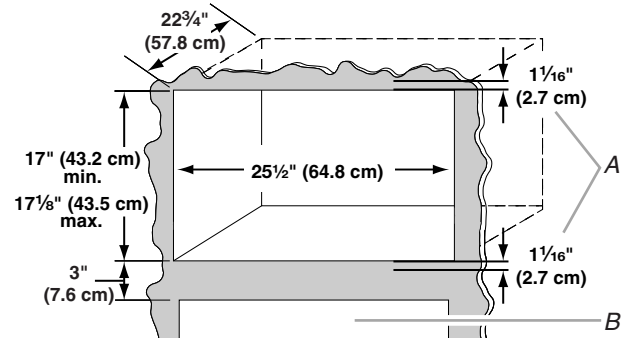
The microwave oven may also be installed in a cabinet by itself (without a built-in oven below). For best usability, we recommend a minimum distance of 36" (91.4 cm) from the floor to the cutout floor.

Make sure the surrounding cabinetry has clearance to open and close freely. Allow a clearance of at least 1⁹/₁₆" (4.0 cm) below the cutout floor (3" [7.6 cm] for installation above a built-in oven), and a clearance of at least 2" (5.1 cm) above the cutout opening.



A. Upper cabinet
B. Microwave oven cutout
C. Lower oven cutout
D. Lower cabinets
E. Floor

Required Cutout Dimensions

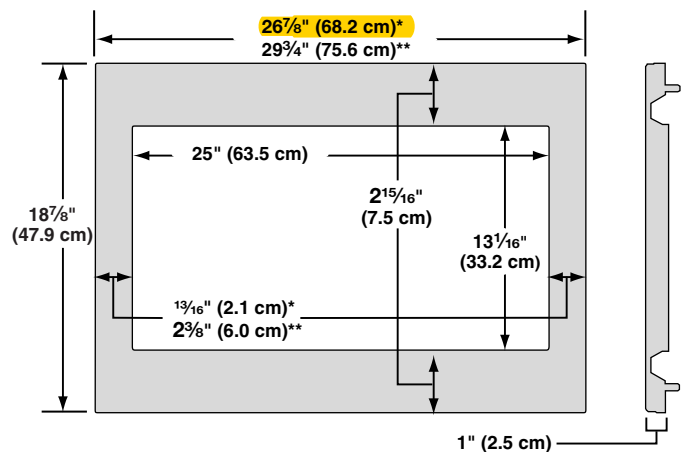


A. Trim kit frame overhang
B. Cutout for lower oven

NOTES:

- Height dimension is critical: 17" (43.2 cm) minimum, 17¹/₈" (43.5 cm) maximum.
- Width and depth measurements have $\pm 1/16$ " (2 mm) tolerance.
- 3" (7.6 cm) minimum dimension is from lower oven cutout ceiling to microwave oven cutout floor.
- Trim kit frame extends 1¹/₁₆" (2.7 cm) above and below the cutout opening.

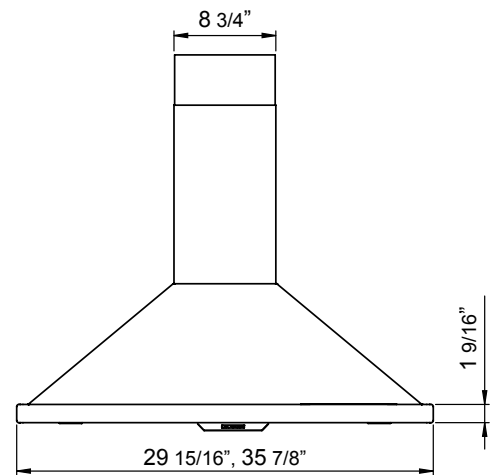
Trim Kit Frame Dimensions



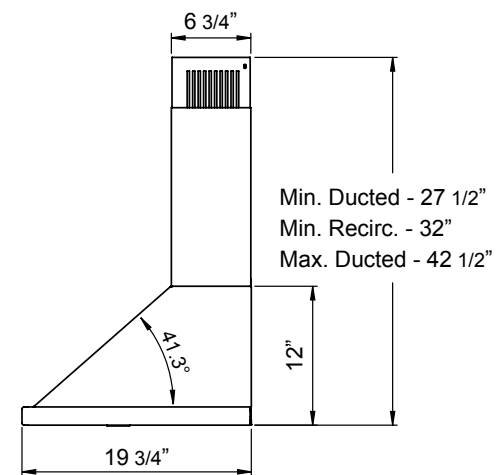
- *27" (68.6 cm) trim kit
- **30" (76.2 cm) trim kit

Brisas BVE

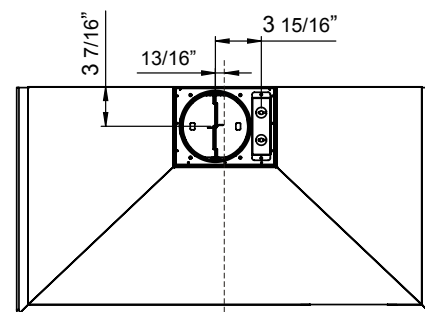
The wall-mounted range hood makes quite an impression. From its pro-style pyramid design to its 600CFM internal motor, BVE is head and shoulders above the competition. Relying on the highest quality manufacturing standards, BVE exudes strength that lasts and quality that is easy to relate to: easy-to-install out-of-the-box design, high-grade stainless steel, tight seams and precision metal folding for seamless corners and edges.



FRONT



SIDE



CL
TOP

Brisas BVE

MODEL	BVE-E30BS	BVE-E36BS
Stainless Steel		
Size	30"	36"
Blower CFM	600	600
Sones	6	6
ACT 390 CFM	Yes	Yes
ACT 290 CFM	Yes	Yes
FEATURES		
ACT™ Technology	Yes	Yes
Controls	Capacitive Touch	Capacitive Touch
Speed Levels	3	3
Auto Delay-Off	Yes	Yes
Lighting	LED Light Strip, 5W x1	LED Light Strip, 5W x1
Dual-Level Lighting	Yes	Yes
Filters	Aluminum Mesh	Aluminum Mesh
Recirculating Option	Yes	Yes
Extension Duct Cover Option	Yes, Up to 12' Ceiling	Yes, Up to 12' Ceiling
DUCT SPECIFICATIONS		
Vertical Internal Blower	6" Round	6" Round
Horizontal Internal Blower	NA	NA
AC POWER	320W, 2.6A	320W, 2.6A
AC POWER INPUT	120V - 60Hz	120V - 60Hz
OPTIONAL ACCESSORIES		
Recirculating Kit	BRC-0008	BRC-0008
Extension Duct Cover	B1C-00VE	B1C-00VE
MOUNTING HEIGHT RANGE*	24" - 34"	24" - 34"
WARRANTY	1 year parts, 1 year labor	1 year parts, 1 year labor

AIRFLOW CONTROL TECHNOLOGY™ (ACT™) is an exclusive feature built into the hood which can limit the maximum blower CFM to meet local code requirements.

*Mounting height refers to distance between top of a 36" tall cooking surface and bottom of hood.

MAY19.0101



KRFC302ESS

KitchenAid®

22 cu. ft. 36-Inch Width Counter Depth French Door Refrigerator with Interior Dispense

<http://www.kitchenaid.com>



Key Features:

- ExtendFresh™ Temperature Management System
- Interior Water Dispenser
- Produce Preserver
- Humidity-Controlled Crispers
- FreshChill™ Temperature-Controlled Full-Width Pantry
- Pull-Out Tri-Level Freezer Drawer
- SatinGlide® System
- LED Lighting
- Star-K Certified
- Automatic Ice Maker
- Max Cool
- Metallic Accents on Shelf Trim

Product Dimensions:

Height: 72

Width: 35 3/4

Depth: 30 1/4

Electrical Requirements:

15.

Additional Information:

[Use And Care Guide](#)

[Dimension Guide](#)

[Energy Guide](#)

[Warranty Certificate](#)

Available in:

Black Stainless

Stainless Steel

INVESTED
IN
AMERICA

©Registered trademark/TM Trademark of Whirlpool, U.S.A. © 2016 Whirlpool Corporation. All Rights Reserved. All other trademarks are owned by their respective companies.

Because Whirlpool Corporation policy includes a continuous commitment to improve our products, we reserve the right to change materials and specifications without notice. We also reserve the right to discontinue or transition products without notice.

Manufacturer's Suggested Retail Price (MSRP) and Minimum Advertised Price (MAP) provided for reference purposes only. Dealer alone determines advertised and retail prices.

Created On: Monday, March 06, 2017 19:12:25

Bottom Mount Refrigerator

PRODUCT MODEL NUMBERS

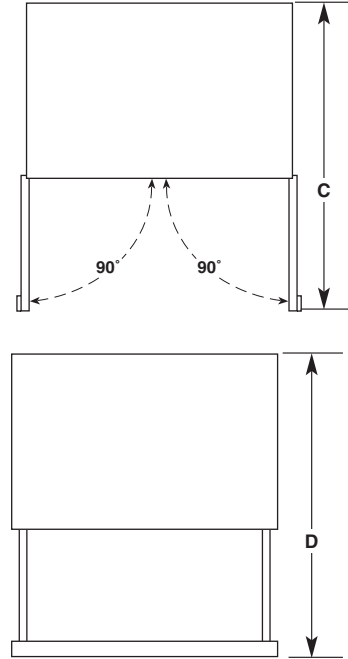
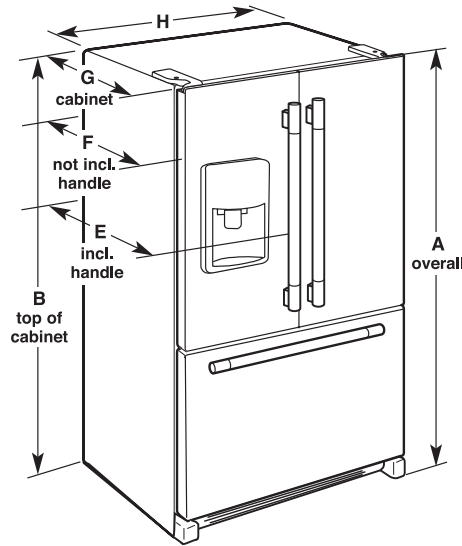
KRFC302E

Electrical: A 115 volt, 60 Hz, AC only 15- or 20-amp fused, grounded electrical supply is required. It is recommended that a separate circuit serving only your refrigerator and approved accessories be provided. Use an outlet that cannot be turned off by a switch. Do not use an extension cord.

Water: A cold water supply with water pressure of between 35 and 120 psi (241 and 827 kPa) is required to operate the water dispenser and ice maker. If you have questions about your water pressure, call a licensed, qualified plumber.

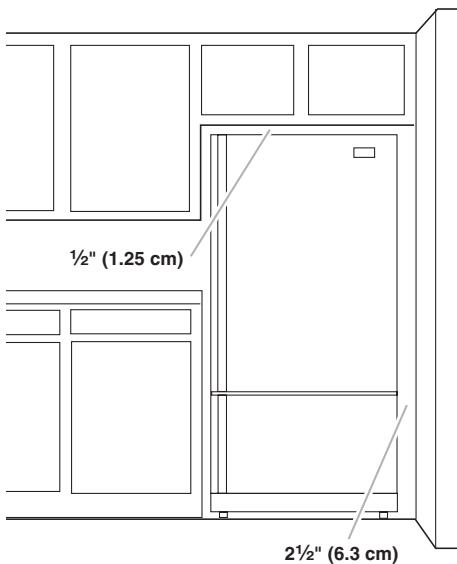
Reverse Osmosis Water Supply:
IMPORTANT: The pressure of the water supply coming out of a reverse osmosis system going to the water inlet valve of the refrigerator needs to be between 35 and 120 psi (241 and 827 kPa).

PRODUCT DIMENSIONS



Model Size	Height - Overall "A"	Height - Top of Cabinet "B"	Depth - Doors Open 90° "C"	Depth - Drawer Open "D"	Depth - With Handles "E"	Depth - Without Handles "F"	Depth - Cabinet Only "G"	Width - Cabinet "H"
21.9	72" (182.9 cm)	71 ⁵ / ₈ " (181.3 cm)	44 ¹ / ₈ " (112.1 cm)	45 ¹ / ₄ " (114.9 cm)	30 ¹ / ₄ " (76.8 cm)	27 ³ / ₄ " (70.5 cm)	24 ⁵ / ₈ " (62.5 cm)	35 ³ / ₄ " (90.8 cm)

LOCATION REQUIREMENTS



IMPORTANT: This refrigerator is designed for indoor, household use only.

To ensure proper ventilation for your refrigerator, allow for 1/2" (1.25 cm) of space on each side and at the top. Allow for 1" (2.54 cm) of space behind the refrigerator. If your refrigerator has an ice maker, allow extra space at the back for the water line connections. When installing your refrigerator next to a fixed wall, leave 2 1/2" (6.3 cm) minimum on the hinge side (some models require more) to allow for the door to swing open.

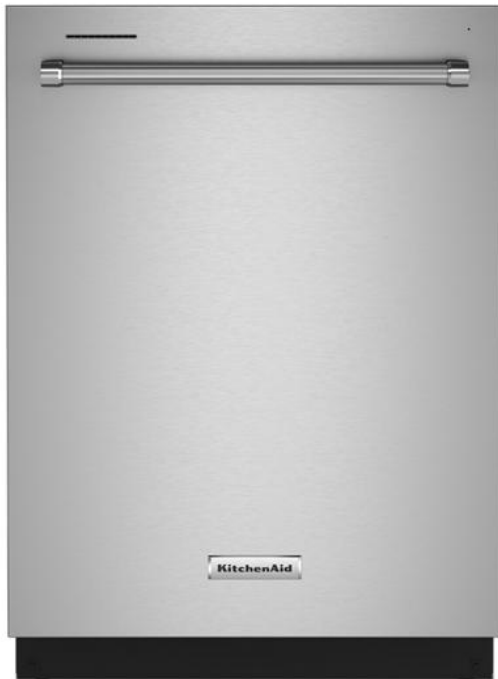
NOTE: This refrigerator is intended for use in a location where the temperature ranges from a minimum of 55°F (13°C) to a maximum of 110°F (43°C). The preferred room temperature range for optimum performance, which reduces electricity usage and provides superior cooling, is between 60°F (15°C) and 90°F (32°C). It is recommended that you do not install the refrigerator near a heat source, such as an oven or radiator.

KDTE204KPS

KitchenAid®

39 dBA Dishwasher in PrintShield™ Finish with Third Level Utensil Rack

<http://www.kitchenaid.com>



Key Features:

- 39 dBA
- ProWash™ Cycle
- Heat Dry Option
- Third Level Utensil Rack
- Extended Heat Dry Option
- Durable Stainless Steel Interior
- SatinGlide® Rails in Third and Middle Racks
- Express Wash Cycle
- Top Controls
- Adjustable Middle Rack

Product Dimensions:

Height: 34 1/2

Width: 23 7/8

Depth: 26 3/4

Additional Information:

[Dimension Guide](#)

[Energy Guide](#)

[Warranty Certificate](#)

Available in:

- Black
- Black Stainless Steel with PrintShield™ Finish
- Stainless Steel with PrintShield™ Finish
- White



©Registered trademark/TM Trademark of Whirlpool, U.S.A. © 2016 Whirlpool Corporation. All Rights Reserved. All other trademarks are owned by their respective companies.

Because Whirlpool Corporation policy includes a continuous commitment to improve our products, we reserve the right to change materials and specifications without notice. We also reserve the right to discontinue or transition products without notice.

Manufacturer's Suggested Retail Price (MSRP) and Minimum Advertised Price (MAP) provided for reference purposes only. Dealer alone determines advertised and retail prices.

Created On: Tuesday, July 28, 2020 08:39:51



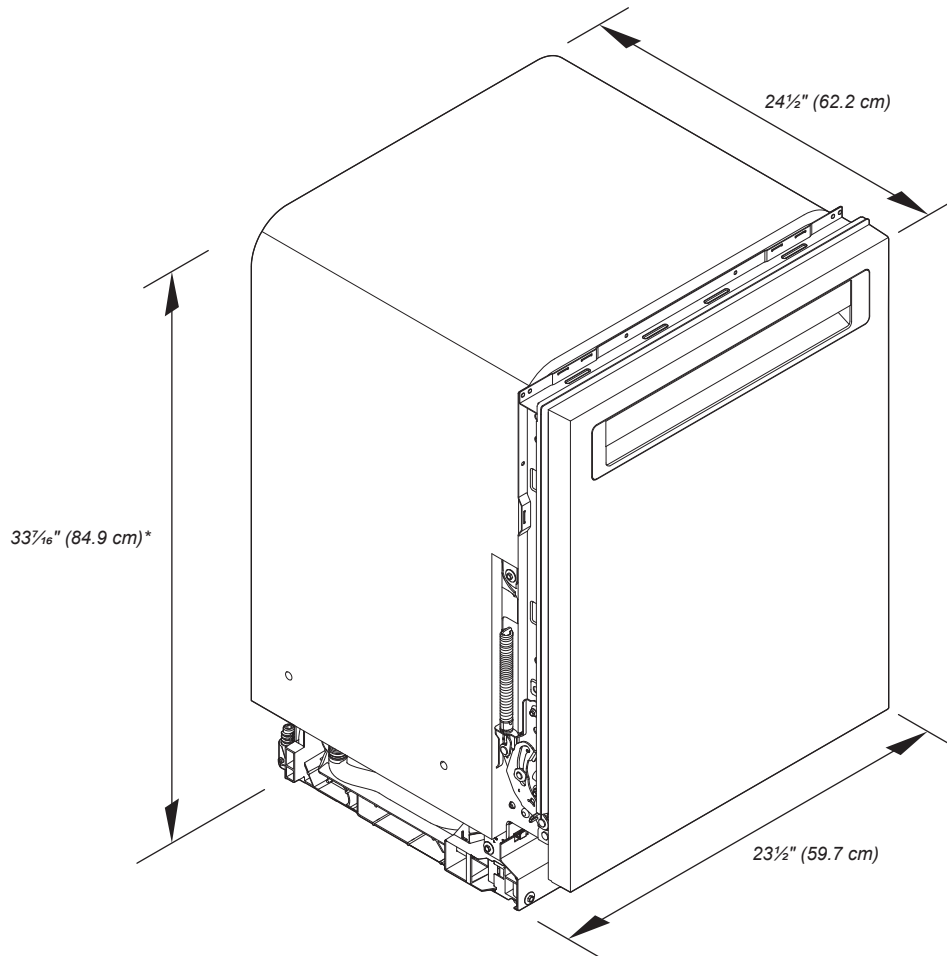
24" Dishwasher

DETAILED PLANNING DIMENSIONS GUIDE

Applies to all model numbers starting with;

KDFE104K, KDFE204K, KDTE204K, KDTE204LPA, KDFM404K,
KDTM404K, KDPM604K, KDTM604K, KDPM704K, KDTM704K,
KDTM704LPA, KDPM804K, KDTM804K

PRODUCT DIMENSIONS

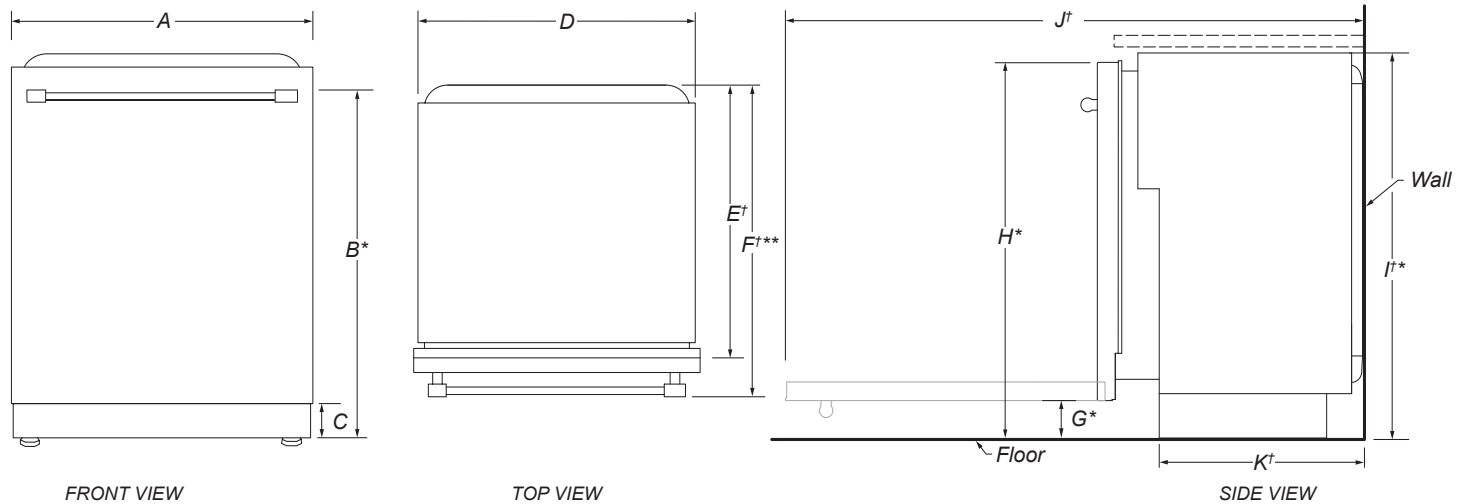


*Dishwasher can be raised 1 7/16" (3.7 cm) with feet fully extended.

Because Whirlpool Corporation policy includes a continuous commitment to improve our products, we reserve the right to change materials and specifications without notice.

Dimensions are for planning purposes only. For complete details, see Installation Instructions packed with product. Specifications subject to change without notice.

PRODUCT DIMENSIONS (CONTD.)



	DESCRIPTION	DIMENSIONS
A	Width of door	23½" (59.7 cm)
B*	Height to top of handle	30⅜" (78.3 cm)
C	Height of adjustable toe kick	3⅝" (8.4 cm) - min. 4⅛" (11.8 cm) - max.
D	Width of recessed dishwasher	22⅝" (57.4 cm)
E†	Depth without door	22⅝" (57.5 cm)
F†**	Depth with Towel Bar Handle	26⅞" (68.3 cm)
	Depth with Pocket Handle	24½" (62.6 cm)
	Depth of Panel-Ready Models	24" (61.0 cm)
G*	Height to bottom of door (min.)	3⅝" (8.4 cm)
H*	Height to top of door (min.)	33⅞" (84.9 cm)
I*	Height of recessed dishwasher (min.)	33⅝" (85.4 cm)
J†	Depth with door fully open (min.)	50⅜" (127.4 cm)
K†	Depth with toe kick (min.)	20⅜" (52.9 cm)

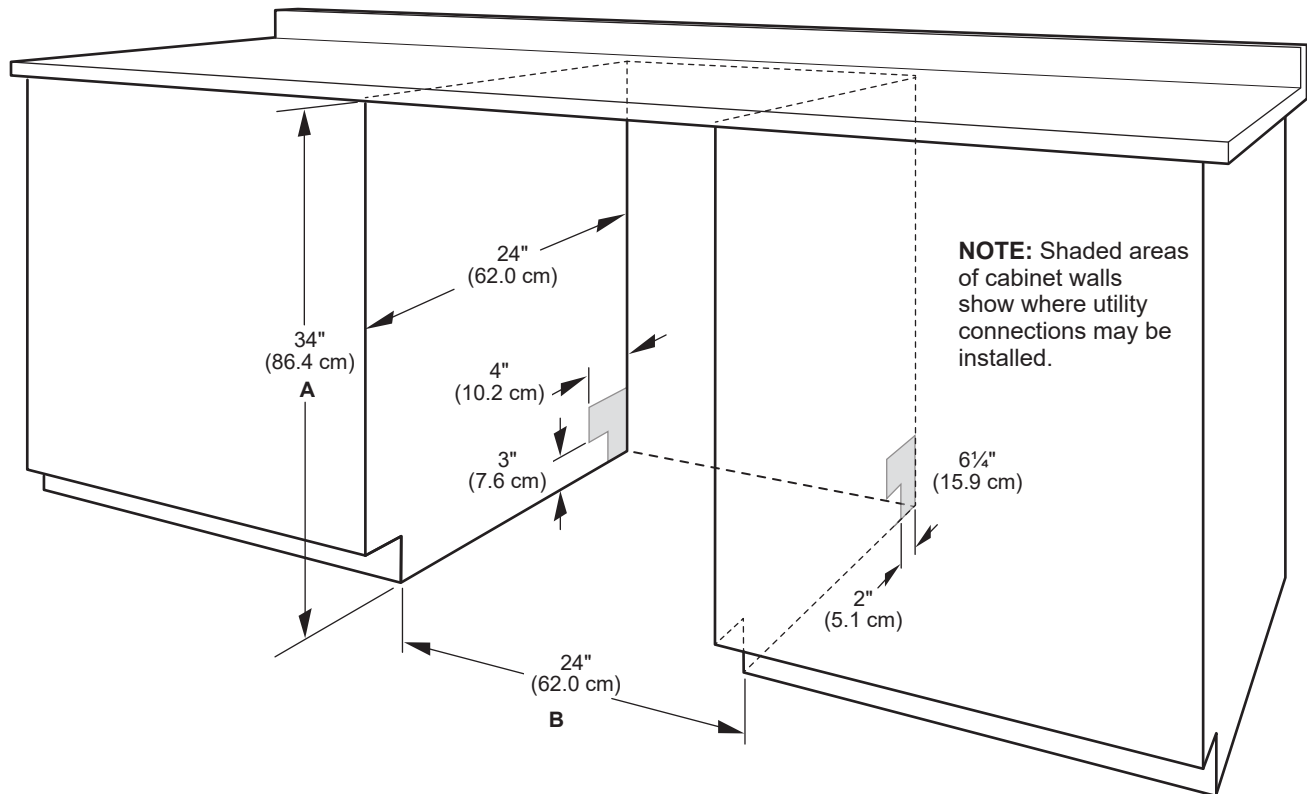
†Insulation blanket thickness adds up to 11/16" (1.8 cm) but can crush up to 1/8" (0.3 cm).

*Dishwasher can be raised 1⅞" (3.7 cm) with feet fully extended.

**For panel-ready models, dishwasher depth is 24" (61.0 cm), not including the 3/4" (1.9 cm) custom door panel.

OPENING/CLEARANCE DIMENSIONS

IMPORTANT: Check that all surfaces have no protrusions that would prohibit dishwasher installation.



A. Measured from the lowest point on the underside of the countertop. May be reduced to 33½" (85.1 cm) by removing the wheels and perforated area of insulation (blanket) on dishwasher.

B. Minimum, measured from narrowest point of opening.

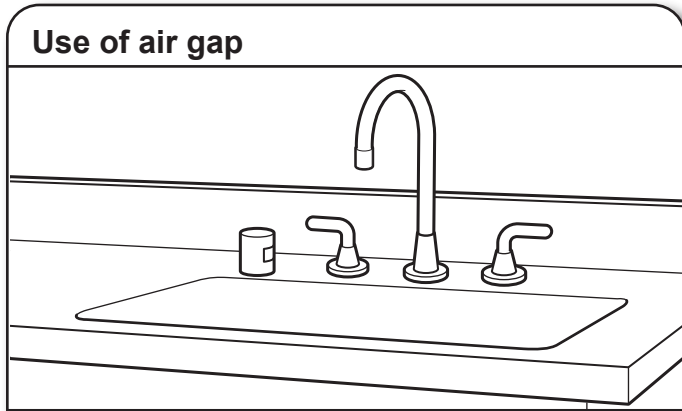
NOTE: Corner locations require a 2" (5.1 cm) minimum clearance between the side of the dishwasher door and the wall or cabinet.

DRAIN REQUIREMENTS

- A new drain hose is supplied with your dishwasher. If drain hose is not long enough, use a new drain hose with a maximum length of 12 ft (3.7 m) that meets all current AHAM/ IAPMO test standards, is resistant to heat and detergent, and fits the 1" (2.5 cm) drain connector of the dishwasher.

NOTE: Do not connect multiple drain hoses together.

- Make sure to connect drain hose to waste tee or disposer inlet above drain trap in house plumbing and 20" (50.8 cm) minimum above the floor. It is recommended that the drain hose either be looped up and securely fastened to the underside of the counter or be connected to an air gap.
- Make sure to use an air gap if the drain hose is connected to house plumbing lower than 20" (50.8 cm) above subfloor or floor.



- If required, the air gap should be installed in accordance with the air gap installation instructions. When you are connecting the air gap, a rubber hose (not provided) will be needed to connect to the waste tee or disposer inlet.
- Use 1/2" (1.3 cm) minimum I.D. drain line fittings.

WATER SUPPLY REQUIREMENTS

- This dishwasher has a water heating feature and also requires a connection to a hot water supply line.
 - A hot water line with 20 psi to 120 psi (138 kPa to 862 kPa) water pressure can be verified by a licensed plumber.
 - 120°F (49°C) water at dishwasher.
 - 3/8" (0.95 cm) O.D. copper tubing with compression fitting or flexible braided water supply line.
- NOTE:** 1/2" (1.3 cm) minimum plastic tubing is not recommended.
- A 90° elbow with 3/4" (0.95 cm) hose connection with rubber washer.
 - Do not solder within 6" (15.2 cm) of the water inlet valve.
 - If installed in new construction, make sure the house water supply lines have been flushed prior to connecting the dishwasher to remove any debris that may exist in the supply line.

NOTE: If replacing an existing dishwasher, it is recommended to install a new water line and drain hose (supplied) with the new dishwasher.

ELECTRICAL REQUIREMENTS

⚠ WARNING



Electrical Shock Hazard

Plug into a grounded 3 prong outlet.

Do not remove ground prong.

Do not use an adapter.

Do not use an extension cord.

Failure to follow these instructions can result in death, fire, or electrical shock.

Be sure that the electrical connection and wire size are adequate and in conformance with the National Electrical Code, ANSI/NFPA 70 - latest edition, and all local codes and ordinances.

A copy of the above code standards can be obtained from:

National Fire Protection Association
1 Batterymarch Park
Quincy, MA 02169-7471

You Must Have:

- 120 V, 60 Hz, AC only, 15 A or 20 A, fused electrical supply
- Copper wire only
- A maximum of 2 field wiring supply conductors (12 AWG largest size) plus 1 grounding conductor are permitted in the terminal box.


We Recommend:


- A time-delay fuse or circuit breaker.

Circuit Requirements:

- The dishwasher may be installed on the same circuit as a garbage disposal providing that the branch circuit cannot exceed rated circuit load and must comply with all governing codes and regulations such as but not limited to National Electrical Code, ANSI/NFPA 70 - latest edition.
- No electrical connections other than the dishwasher power and ground connections can be made inside of the dishwasher terminal box.

If connecting dishwasher with a power supply cord:

- Use UL Listed power cord kit marked for use with dishwasher. 

- Plug into a grounded 3 prong outlet. Outlet must meet all local codes and ordinances. 

If connecting dishwasher with direct wiring:

- Use flexible, armored, or nonmetallic sheathed copper wire with grounding wire that meets the wiring requirements for your home and local codes and ordinances.

- Use a UL Listed/CSA Approved metallic strain relief. 